

PVC Dubbele deur met vol glas - Double Porte PVC avec vitrage - PVC Double Doors full glass

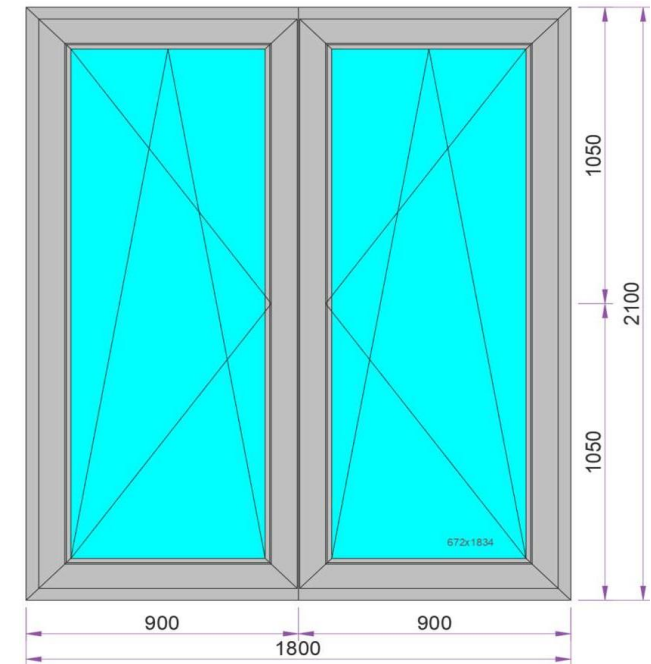
Ud CALCULATION

1)	AREA of GLASS	2,46	m ²
2)	GLASS Ug/Ud Value	1,10	W/m ² .K
3)	AREA of PVC PR.	1,32	m ²
4)	PVC PR. Uf Value	1,29	W/m ² .K
5)	CIRCUMFERENCE of GLASS/PANEL	10,02	m
	PSI of GLASS/PANEL	0,04	W/m.K
		(PSI FIX)	

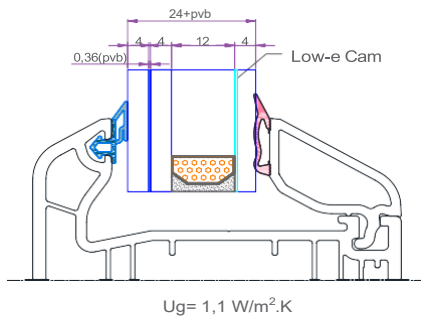
WINDOW Ud VALUE

1,27 W/m².K

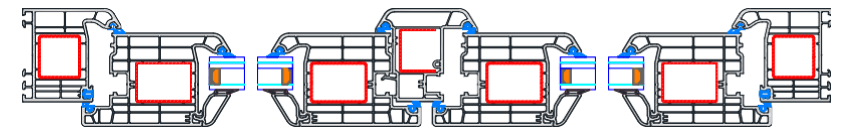
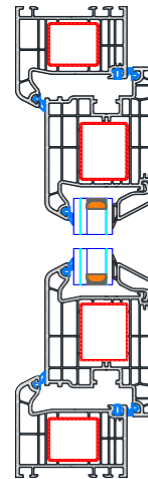
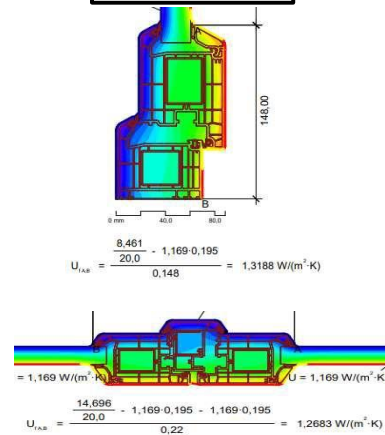
PVC Dubbele Deuren / Double Portes PVC / PVC Double Doors



Glass/Panel Combination



Uf Calculation



Thermische berekeningen werden uitgevoerd volgens EN ISO 10077-1:2006 & EN ISO 10077-2:2003.

Les valeurs thermiques ont été déterminées conformément aux normes EN ISO 10077-1:2006 & EN ISO 10077-2:2003.

Thermal calculations were performed in accordance with EN ISO 10077-1:2006 & EN ISO 10077-2:2003.

****Note***
 **These results are theoretical values obtained in a computer environment using the fixo program. They may differ from tests performed under real-world conditions.
 **These calculations have been prepared for informational purposes only. Ramendepot accepts no responsibility for the results provided.