

Draai-Kiepramen 1 vleugel / Fenêtres oscillo battantes 1 ouvrant / Tilt & Turn windows 1 Sash

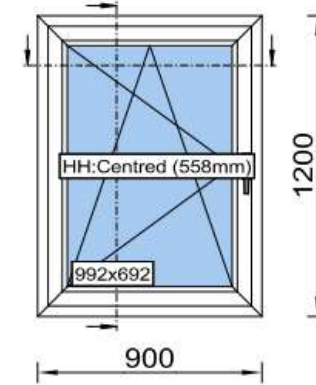
### Uw CALCULATION

1)	AREA of GLASS	0,69	m <sup>2</sup>
2)	GLASS Ug Value	1,10	W/m <sup>2</sup> .K
3)	AREA of PVC PR.	0,39	m <sup>2</sup>
4)	PVC PR. Uf Value	1,39	W/m <sup>2</sup> .K
5)	CUMPERENCE of GL	3,37	m
	PSI of GLASS	0,04	W/m.K

(PSI FIX)

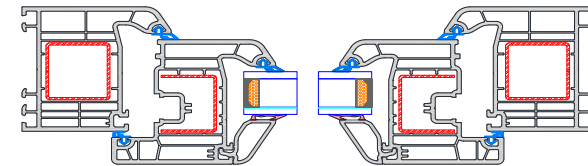
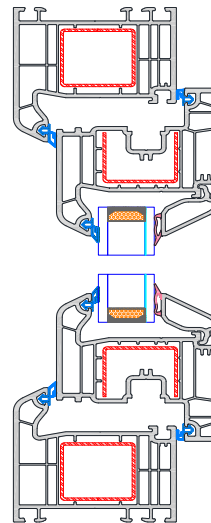
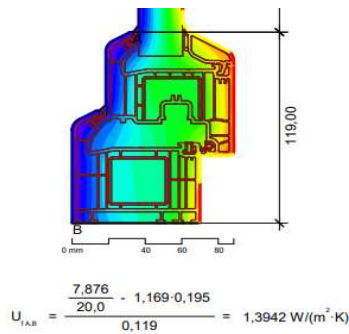
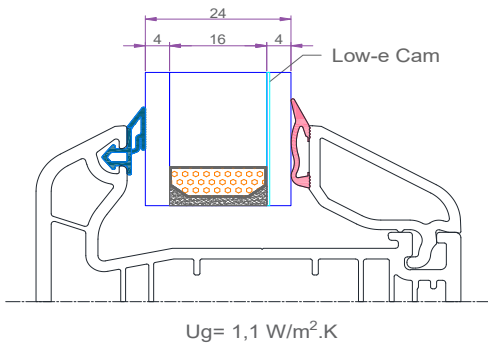
#### WINDOW Uw VALUE

**1,33** W/m<sup>2</sup>.K



#### Glass Combination

#### Uf Calculation



Thermische berekeningen werden uitgevoerd volgens EN ISO 10077-1:2006 & EN ISO 10077-2:2003.

Les valeurs thermiques ont été déterminées conformément aux normes EN ISO 10077-1:2006 & EN ISO 10077-2:2003.

Thermal calculations were performed in accordance with EN ISO 10077-1:2006 & EN ISO 10077-2:2003.

**\*\*Note\*\***

\*\*These results are theoretical values obtained in a computer environment using the flixo program. They may differ from tests performed under real-world conditions.

\*\*These calculations have been prepared for informational purposes only. Ramendepot accepts no responsibility for the results provided.