

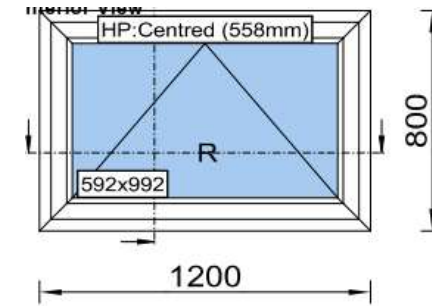
Uw CALCULATION

1)	AREA of GLASS	0,59	m ²
2)	GLASS Ug Value	1,10	W/m ² .K
3)	AREA of PVC PR.	0,37	m ²
4)	PVC PR. Uf Value	1,39	W/m ² .K
5)	CIRCUMFERENCE of GLASS	3,17	m
	PSI of GLASS	0,04	W/m.K
		(PSI FIX)	

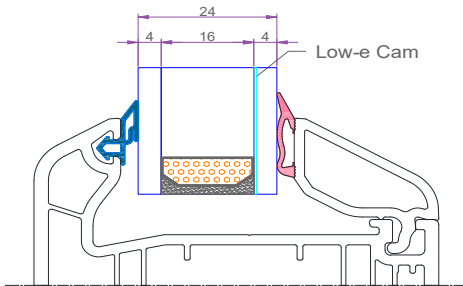
WINDOW Uw VALUE

1,35 W/m².K

Kiepramen / Fenêtres abattantes / Tilt windows

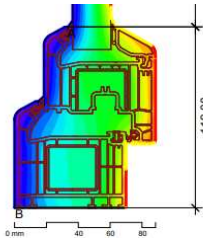


Glass Combination

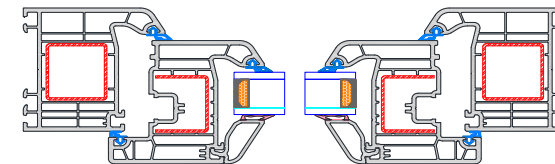
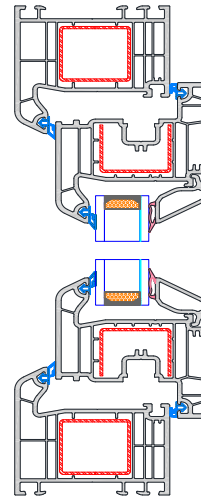


Ug = 1,1 W/m².K

Uf Calculation



$$U_{f,ab} = \frac{\frac{7,876}{20,0} - 1,169 - 0,195}{0,119} = 1,3942 \text{ W/(m}^2\text{.K)}$$



Thermische berekeningen werden uitgevoerd volgens EN ISO 10077-1:2006 & EN ISO 10077-2:2003.

Les valeurs thermiques ont été déterminées conformément aux normes EN ISO 10077-1:2006 & EN ISO 10077-2:2003.

Thermal calculations were performed in accordance with EN ISO 10077-1:2006 & EN ISO 10077-2:2003.

****Note****

**These results are theoretical values obtained in a computer environment using the fixo program. They may differ from tests performed under real-world conditions.

**These calculations have been prepared for informational purposes only. Ramendepot accepts no responsibility for the results provided.