

### Uw CALCULATION

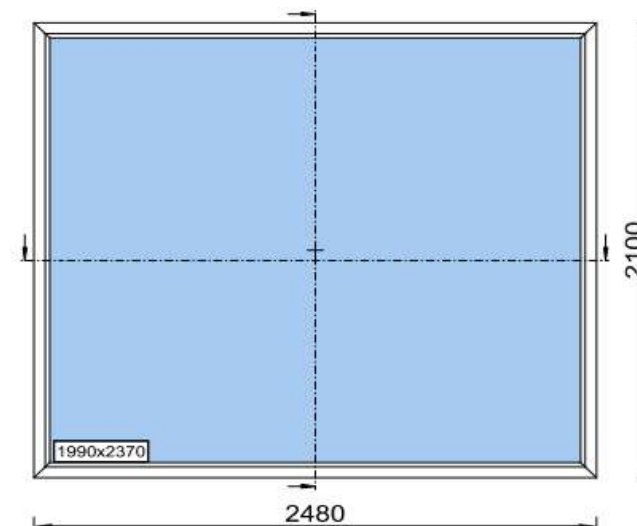
1)	AREA of GLASS	4,72	m <sup>2</sup>
2)	GLASS Ug Value	1,10	W/m <sup>2</sup> .K
3)	AREA of PVC PR.	0,49	m <sup>2</sup>
4)	PVC PR. Uf Value	1,32	W/m <sup>2</sup> .K
5)	CUMFERENCE of GL	8,72	m
	PSI of GLASS	0,04	W/m.K

(PSI FIX)

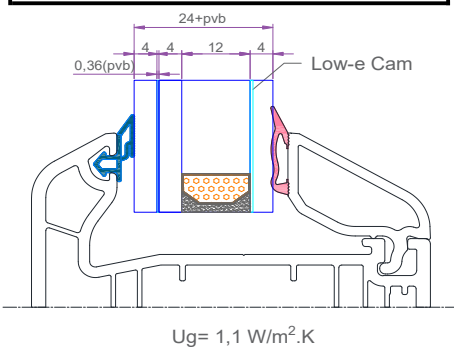
#### WINDOW Uw VALUE

**1,19** W/m<sup>2</sup>.K

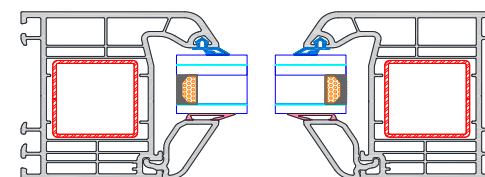
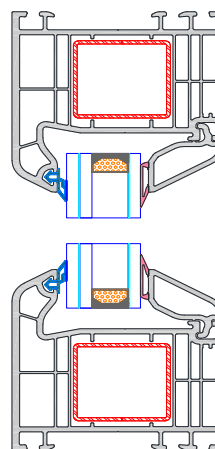
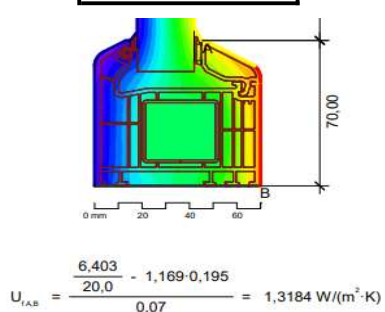
#### Vaste ramen / Fenêtres fixes / Fix windows



#### Glass Combination



#### Uf Calculation



Thermische berekeningen werden uitgevoerd volgens EN ISO 10077-1:2006 & EN ISO 10077-2:2003.

Les valeurs thermiques ont été déterminées conformément aux normes EN ISO 10077-1:2006 & EN ISO 10077-2:2003.

Thermal calculations were performed in accordance with EN ISO 10077-1:2006 & EN ISO 10077-2:2003.

**\*\*Note\*\***

\*\*These results are theoretical values obtained in a computer environment using the flixo program. They may differ from tests performed under real-world conditions.

\*\*These calculations have been prepared for informational purposes only. Ramendepot accepts no responsibility for the results provided.