

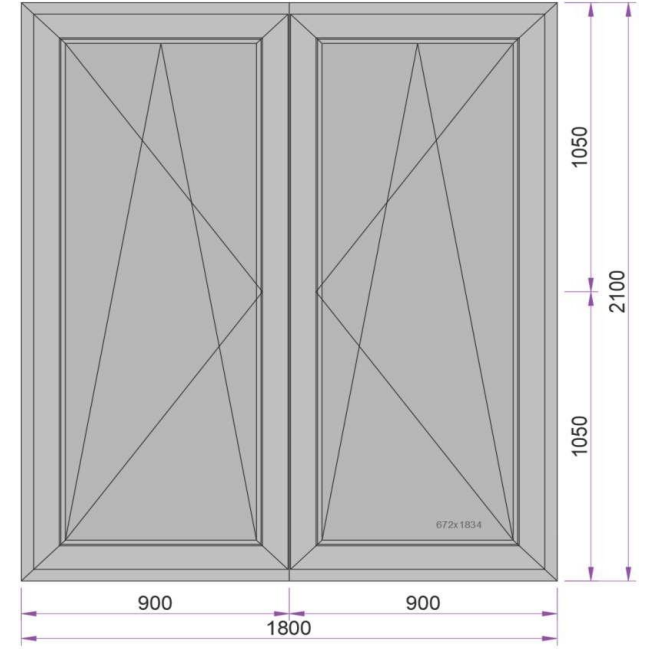
PVC Dubbele deur met vol paneel - Double Porte PVC avec panneaux - PVC Double Doors full panel

PVC Dubbele Deuren / Double Portes PVC / PVC Double Doors

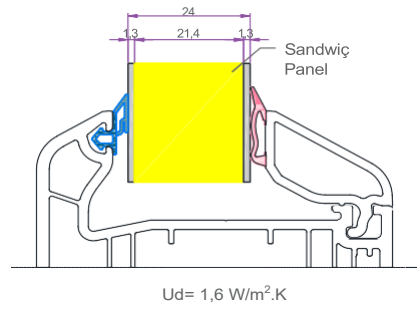
Ud CALCULATION

1)	AREA of GLASS	2,46	m ²	Window Ud Value
2)	GLASS Ug/Ud Value	1,60	W/m ² .K	
3)	AREA of PVC PR.	1,32	m ²	1,60 W/m ² .K
4)	PVC PR. Uf Value	1,29	W/m ² .K	
5)	CIRCUMFERENCE of GLASS/PANEL	10,02	m	
	PSI of GLASS/PANEL	0,04	W/m.K	

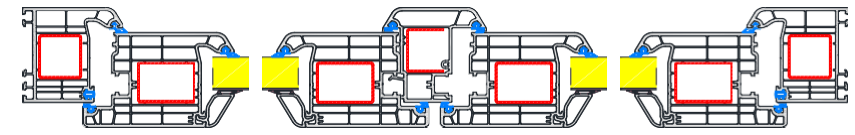
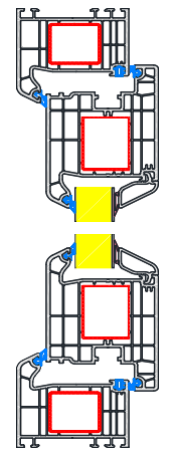
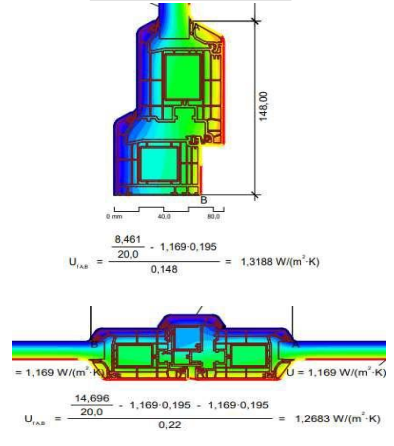
(PSI FIX)



Glass/Panel Combination



Uf Calculation



Thermische berekeningen werden uitgevoerd volgens EN ISO 10077-1:2006 & EN ISO 10077-2:2003.
 Les valeurs thermiques ont été déterminées conformément aux normes EN ISO 10077-1:2006 & EN ISO 10077-2:2003.
 Thermal calculations were performed in accordance with EN ISO 10077-1:2006 & EN ISO 10077-2:2003.

****Note**
 **These results are theoretical values obtained in a computer environment using the flixo program. They may differ from tests performed under real-world conditions.
 **These calculations have been prepared for informational purposes only. Ramendepot accepts no responsibility for the results provided.