

Uw CALCULATION

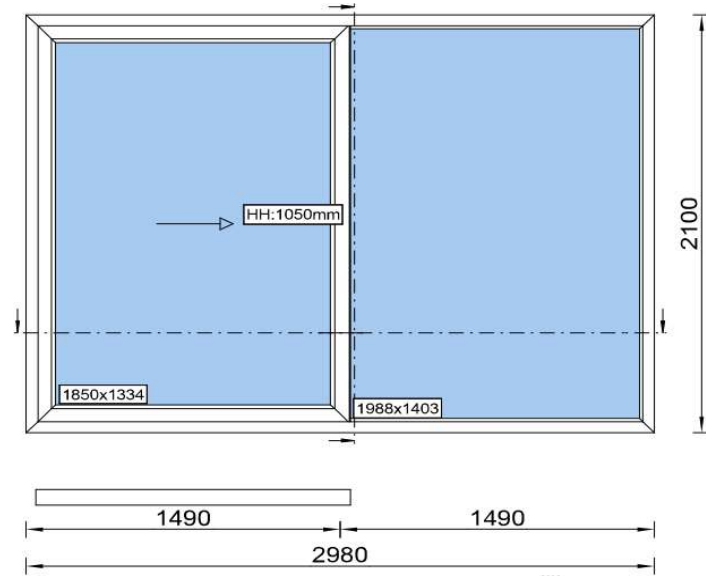
1)	AREA of GLASS	5,19	m ²
2)	GLASS Ug Value	1,10	W/m ² .K
3)	AREA of PVC PR.	1,07	m ²
4)	PVC PR. Uf Value	1,88	W/m ² .K
5)	CIRCUMFERENCE of GLASS	13,01	m
	PSI of GLASS	0,04	W/m.K

(PSI FIX)

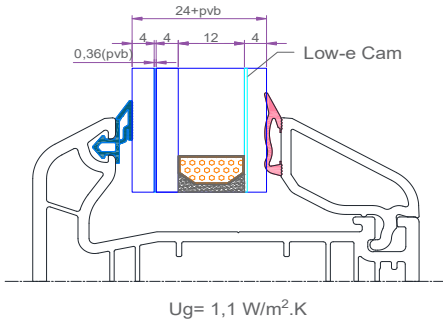
WINDOW Uw VALUE

1,32 W/m².K

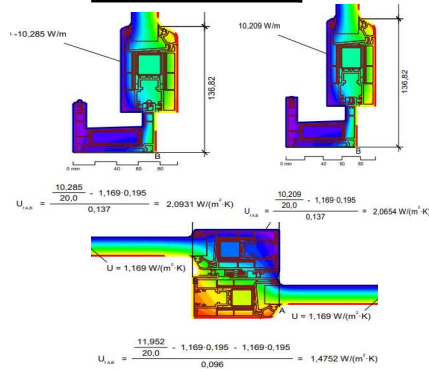
Schuiframen 2 zijden schuivend-Fenêtres 2 côtés coulissants-Double Sliding



Glass Combination



Uf Calculation



Thermische berekeningen werden uitgevoerd volgens EN ISO 10077-1:2006 & EN ISO 10077-2:2003.

Les valeurs thermiques ont été déterminées conformément aux normes EN ISO 10077-1:2006 & EN ISO 10077-2:2003.

Thermal calculations were performed in accordance with EN ISO 10077-1:2006 & EN ISO 10077-2:2003.

****Note****

**These results are theoretical values obtained in a computer environment using the flxo program. They may differ from tests performed under real-world conditions.

**These calculations have been prepared for informational purposes only. Ramendepot accepts no responsibility for the results provided.