

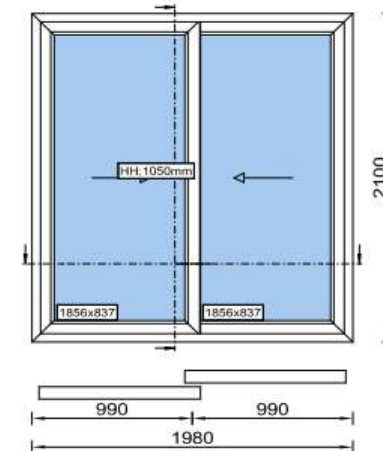
Uw CALCULATION

1)	AREA of GLASS	3,11	m ²
2)	GLASS Ug Value	1,10	W/m ² .K
3)	AREA of PVC PR.	1,05	m ²
4)	PVC PR. Uf Value	1,88	W/m ² .K
5)	CIRCUMFERENCE of GLASS	10,77	m
	PSI of GLASS	0,04	W/m.K
	(PSI FIX)		

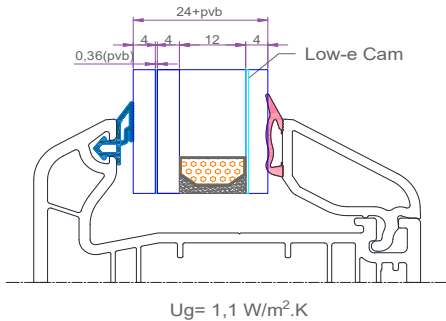
WINDOW Uw VALUE

1,40 W/m².K

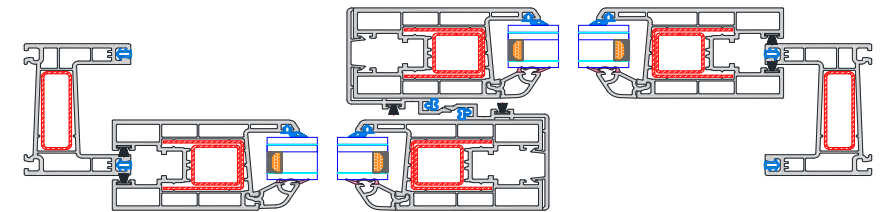
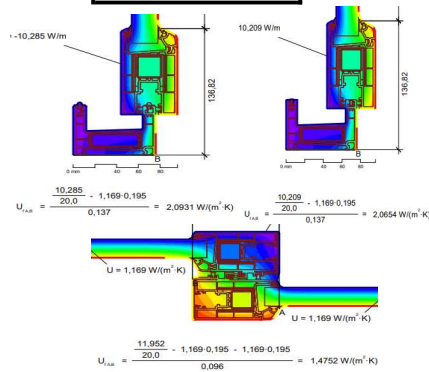
Schuiframen 2 zijden schuivend – Fenêtres 2 côtés coulissants – Double Sliding



Glass Combination



Uf Calculation



Thermische berekeningen werden uitgevoerd volgens EN ISO 10077-1:2006 & EN ISO 10077-2:2003.

Les valeurs thermiques ont été déterminées conformément aux normes EN ISO 10077-1:2006 & EN ISO 10077-2:2003.

Thermal calculations were performed in accordance with EN ISO 10077-1:2006 & EN ISO 10077-2:2003.

****Note****
 **These results are theoretical values obtained in a computer environment using the flixo program. They may differ from tests performed under real-world conditions.
 **These calculations have been prepared for informational purposes only. Ramendepot accepts no responsibility for the results provided.