

## Uw CALCULATION

1)	AREA of GLASS	2,74	m <sup>2</sup>
2)	GLASS Ug Value	1,10	W/m <sup>2</sup> .K

WINDOW Uw VALUE

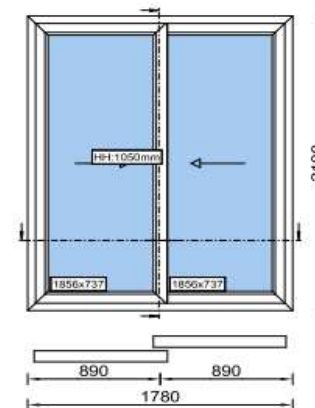
3)	AREA of PVC PR.	1,00	m <sup>2</sup>
4)	PVC PR. Uf Value	1,88	W/m <sup>2</sup> .K

1,42 W/m<sup>2</sup>.K

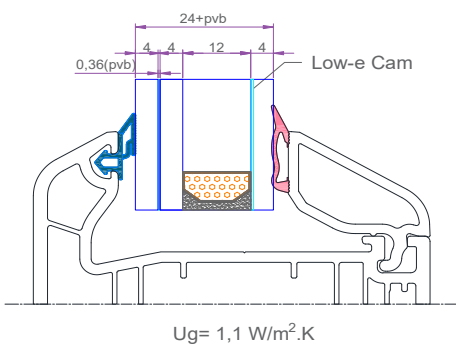
5)	CUMFERENCE of GL	10,37	m
	PSI of GLASS	0,04	W/m.K

(PSI FIX)

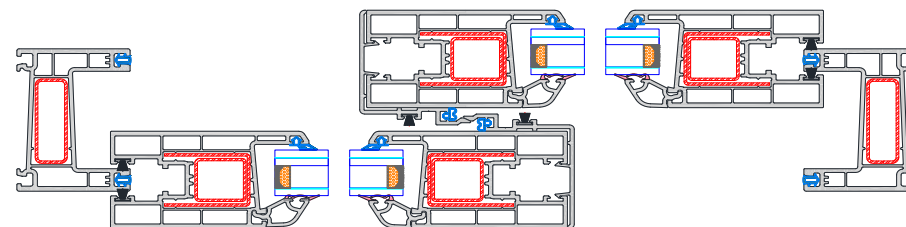
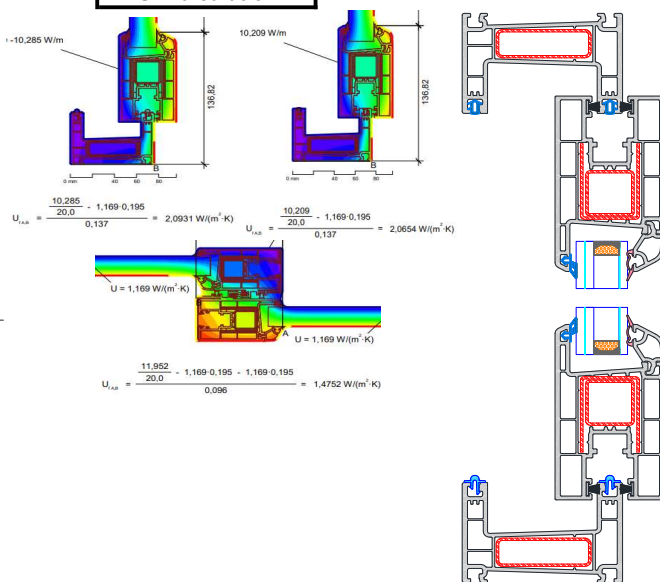
## Schuiframes 2 zijden schuivend – Fenêtres 2 côtés coulissants – Double Sliding



### Glass Combination



### Uf Calculation



Thermische berekeningen werden uitgevoerd volgens EN ISO 10077-1:2006 & EN ISO 10077-2:2003.

Les valeurs thermiques ont été déterminées conformément aux normes EN ISO 10077-1:2006 & EN ISO 10077-2:2003.

Thermal calculations were performed in accordance with EN ISO 10077-1:2006 & EN ISO 10077-2:2003.

**\*\*Note\*\***

\*\*These results are theoretical values obtained in a computer environment using the flixo program. They may differ from tests performed under real-world conditions.

\*\*These calculations have been prepared for informational purposes only. Ramendepot accepts no responsibility for the results provided.