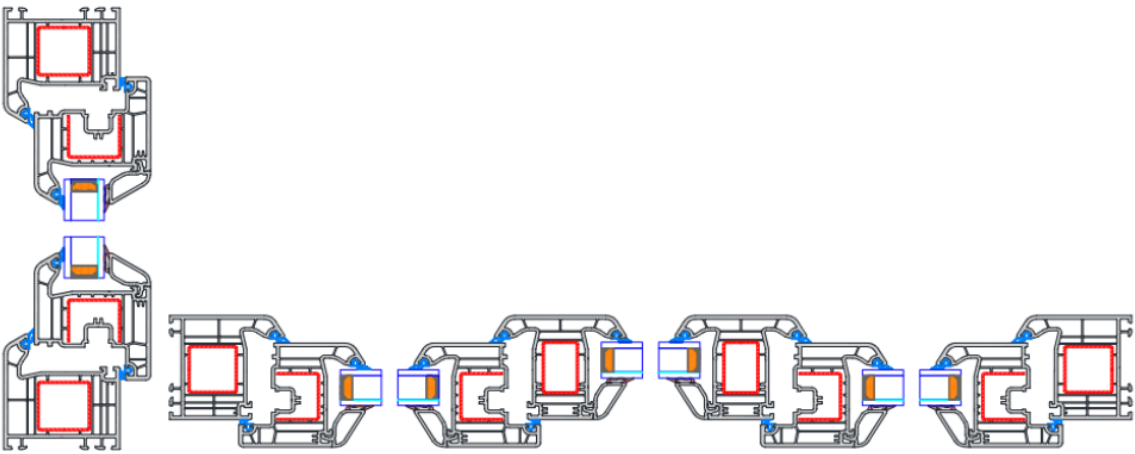
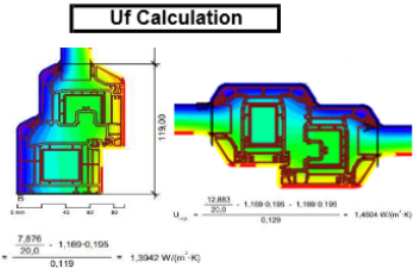
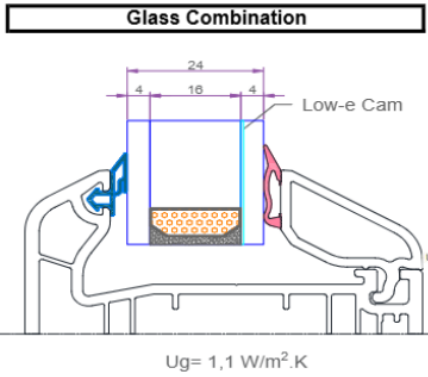
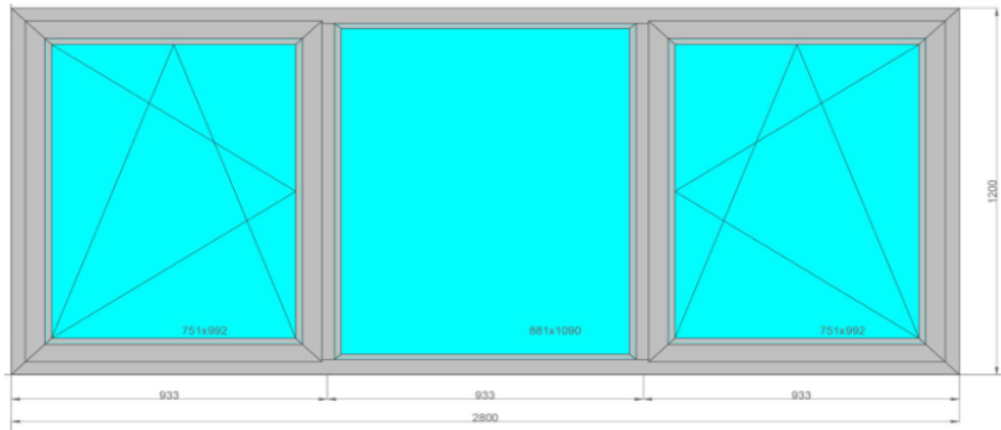


### Uw CALCULATION

1)	AREA of GLASS	<b>2,45</b>	m <sup>2</sup>	<b>WINDOW Uw VALUE</b>  <div style="border: 1px solid black; padding: 5px; display: inline-block;"> <b>1,32</b> W/m<sup>2</sup>.K                 </div>
2)	GLASS Ug Value	<b>1,10</b>	W/m <sup>2</sup> .K	
3)	AREA of PVC PR.	<b>0,91</b>	m <sup>2</sup>	
4)	PVC PR. Uf Value	<b>1,43</b>	W/m <sup>2</sup> .K	
5)	CUMFERENCE of GL	<b>10,91</b>	m	

PSI of GLASS	0,04	W/m.K	
(PSI FIX)			



Thermische berekeningen werden uitgevoerd volgens EN ISO 10077-1:2006 & EN ISO 10077-2:2003.

Les valeurs thermiques ont été déterminées conformément aux normes EN ISO 10077-1:2006 & EN ISO 10077-2:2003.

Thermal calculations were performed in accordance with EN ISO 10077-1:2006 & EN ISO 10077-2:2003.

**\*\*Note\*\***

\*\*These results are theoretical values obtained in a computer environment using the fljxo program. They may differ from tests performed under real-world conditions.

\*\*These calculations have been prepared for informational purposes only. Ramendepot accepts no responsibility for the results provided.