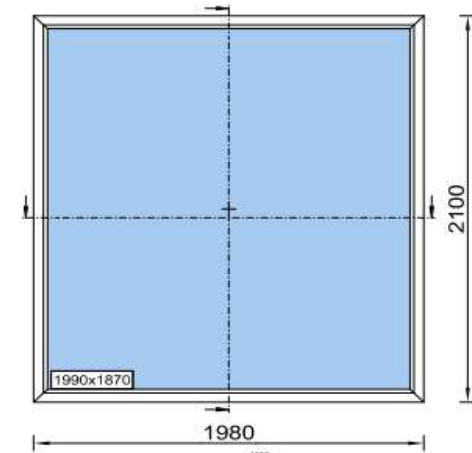


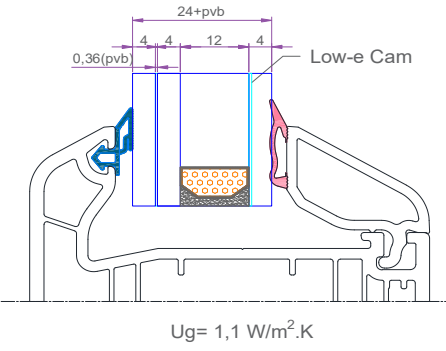
Uw CALCULATION

1)	AREA of GLASS	0,25	m ²		
2)	GLASS Ug Value	1,10	W/m ² .K		
WINDOW Uw VALUE					
		1,41	W/m ² .K		
3)	AREA of PVC PR.	0,14	m ²		
4)	PVC PR. Uf Value	1,32	W/m ² .K		
5)	CUMFERENCE of GL	2,32	m		
	PSI of GLASS	0,04	W/m.K		
	(PSI FIX)				

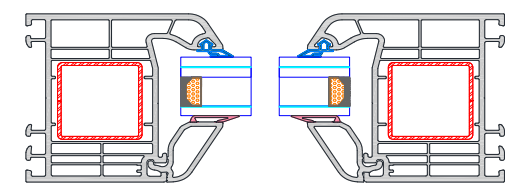
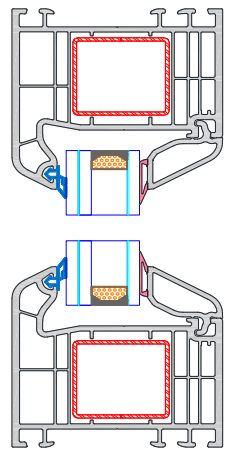
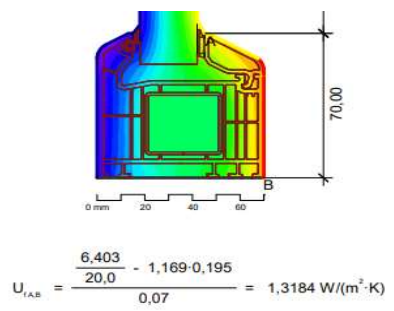
Vaste ramen / Fenêtres fixes / Fix windows



Glass Combination



Uf Calculation



Thermische berekeningen werden uitgevoerd volgens EN ISO 10077-1:2006 & EN ISO 10077-2:2003.

Les valeurs thermiques ont été déterminées conformément aux normes EN ISO 10077-1:2006 & EN ISO 10077-2:2003.

Thermal calculations were performed in accordance with EN ISO 10077-1:2006 & EN ISO 10077-2:2003.

****Note****
 **These results are theoretical values obtained in a computer environment using the flixo program. They may differ from tests performed under real-world conditions.
 **These calculations have been prepared for informational purposes only. Ramendepot accepts no responsibility for the results provided.